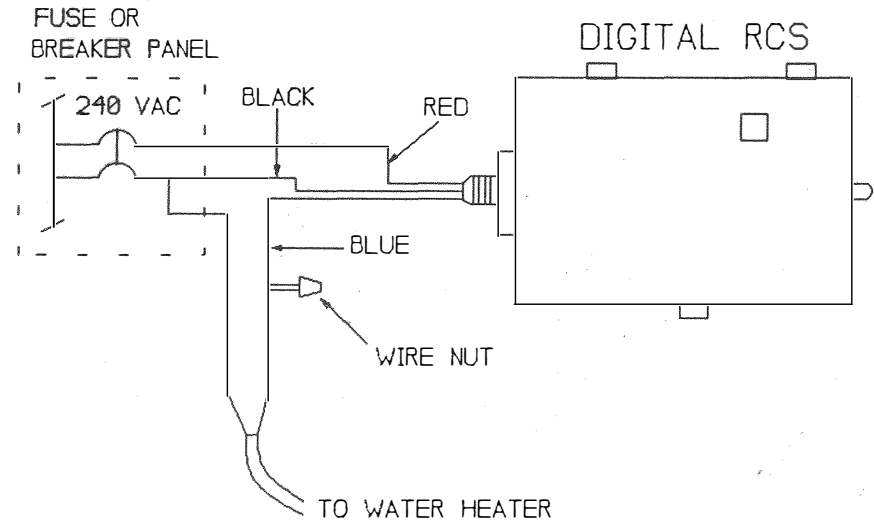
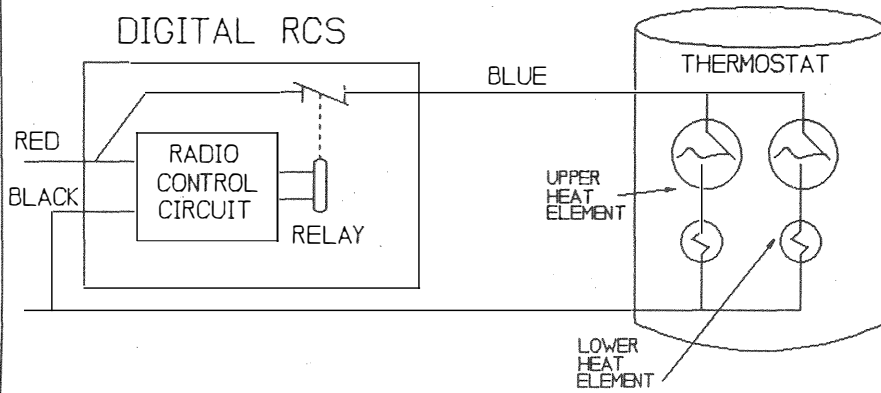


# TYPICAL WATER HEATER CONNECTIONS

# FUSE OR CIRCUIT BREAKER CONNECTIONS



## JUNCTION BOX INSTALLATION

